

B3626M	Output Power 输出功率: 1W~40W	Weight 重量: 95g (Approx.)
---------------	---------------------------	--------------------------

Brushless DC Motor-Typical Application 直流无刷电机-典型应用

Automotive Parts: Pump, Fan 汽车部件: 泵, 风机
 Home Application: White Goods, Small Appliance, Fanner, Electric Curtain
 家用电器: 白色家电, 小家电, 风扇, 电动窗帘
 Medical Apparatus: Medical Pump, Surgery Tools, Medical Stirrer, Centrifugal Machine
 医疗器械: 医疗泵, 手术器械, 搅拌机, 离心机
 Business Equipment: Printer, Copier, Projector, ATM, Vending Machine
 商业设备: 打印机, 复印机, 投影机, ATM 机, 售卖机
 Industry Equipment: Electric Valve, Actuator, Micro Pump 工业设备: 阀门, 致动器, 微型泵
 Personal Care: Hair Dryer, Electric Shaver, Massager 个人护理: 风筒, 电动须刨, 按摩器

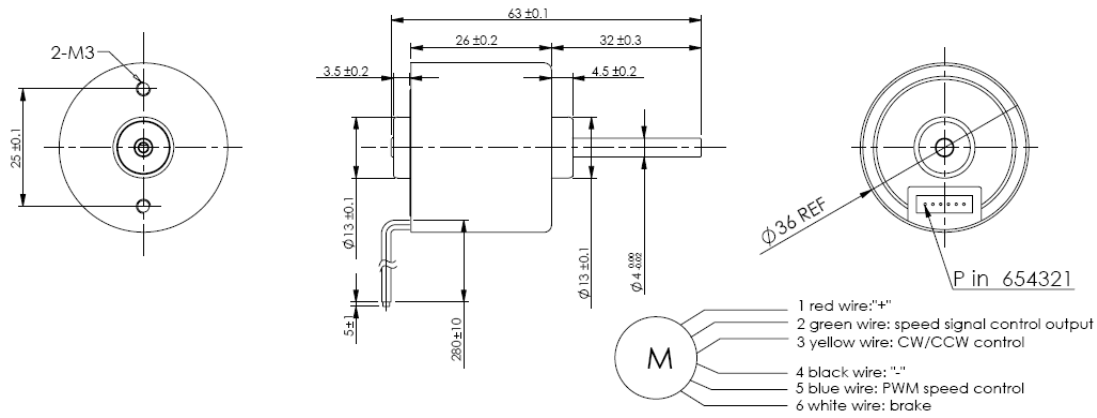


Model 型号	Voltage(V) 电压		No Load 空载		Rated Load 额定负载			Stall 堵转		
	Operating Range	Rated	Speed (rpm)	Current (A)	Torque (mNm)	Speed (rpm)	Current (A)	Output P. (W)	Torque (mNm)	Current (A)
B3626M-S01	8-26	9	2720	0.12	13.73	1812	0.54	2.62	40.4	2.5
B3626M-S02	8-26	12	4460	0.18	10.79	3750	0.57	4.23	66.74	2.5
B3626M-S03	8-26	24	5998	0.12	15	4858	0.50	7.63	78.91	2.5
B3626M-S04	8-26	24	11990	0.35	14.715	9420	0.996	14.52	63.79	2.5
B3626M-S05	8-26	24	39845	0.26	9.81	33327	1.78	34.24	58.99	3.0

Characteristic: CW & CCW, Signal function available, Locked rotor protection, Stepless speed regulation, Low noise, Low EMI, Long life 10000-50000hrs
特征: 双转向, 信号功能, 锁定保护, 无级调速, 低噪音, 低电磁干扰, 超长寿命 10000-50000 小时

Notice: Data in this typical specification sheet are for other certain customer. Voltage, rated torque, speed, current, power and shaft extension feature & dimension can be changed to meet customer specific requirement.
注意: 上述规格仅针对特定客户, 电压、扭矩、转速、电流、功率、输出轴的特征和尺寸等都可以按照客户的特殊要求进行调整。

Outline Drawing 外形图:



Usable machine screw length 3.0mm max. from motor mounting surface

Unit: Millimeter

Performance Curve 性能曲线:

