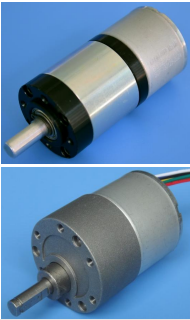
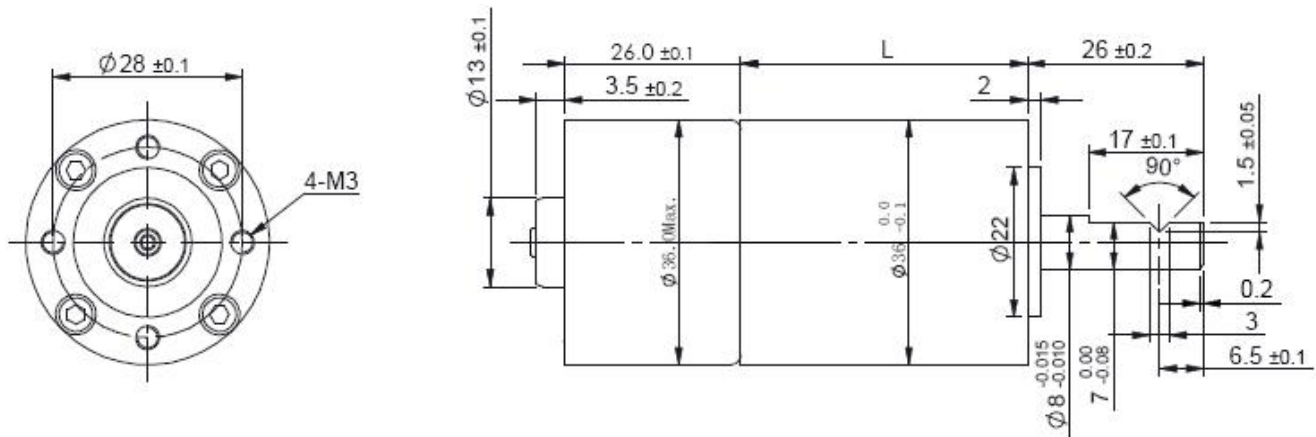


B3626G	Output Power 输出功率: 1W~8W	Weight 重量: 240g (Approx.)
Brushless DC Gear Motor-Typical Application 无刷直流减速电机-典型应用 Home Application: Electric door, Electric Window, Electric Curtain, Electric Awning 家用电器: 电动门, 电动窗, 电动窗帘, 电动遮阳棚 Industry Facility: Transmission Equipment, Gear System, Actuator 工业设备: 传动机械, 齿轮系统, 致动器 Electronic Equipment: Electric Valve, Small Switcher, Lighting Adjustor, Small Percussion Drill 电控设备: 电动阀门, 小型转换器, 灯光调节器, 电动扳手 Business Equipment: Electric Gate, Banking Facility, ATM, Vending Machine 商业设备: 电动门禁, 银行设施, ATM机, 售卖机 Personal Care: Massager 个人护理: 按摩器		

Outline Drawing 外形图: Unit: Millimeter



Torque & Speed List: 力矩和转速列表

电机型号	减速比	5	14	27	51	71	100	189	369	516	977
B3626G-S01 (9V-2720)	空载转速 (r/min)	2720	194	101	53	38	27	14	7	5	3
	负载转速 (r/min)	362	129	67	35	25	18	9	5	3	2
	负载力矩 (mNm)	54	134	259	420	584	823	1297	2450	2450	2940
B3626G-S02 (12V-4460)	空载转速 (r/min)	892	318	165	87	63	45	24	12	9	5
	负载转速 (r/min)	750	268	139	73	53	37	20	10	7	4
	负载力矩 (mNm)	43	105	203	330	459	647	1019	1990	2450	2940
B3626G-S03 (24V-11990)	空载转速 (r/min)	2398	856	444	235	169	120	63	32	23	12
	负载转速 (r/min)	1884	673	348	185	132	94	50	25	18	10
	负载力矩 (mNm)	58	144	278	450	626	882	1390	2450	2450	2940

Gear Box Characteristic 齿轮箱特征:

Material 外壳材质	Metal
Bearing Type 轴承类型	Ball bearings
Radial Force 径向力	≤ 8 Kgf
Axial Force 轴向力	≤ 3 Kgf
Max. Pushing force at shaft 主轴最大承受压入力	≤ 15 Kgf
Radial Clearance 径向间隙	≤ 0.05 mm
Axial Clearance 轴向间隙	≤ 0.30 mm

Reduction Ratio 减速比	L	Reducer Series 减 速等级	Rated Torque 额定力矩	
	mm		mNm	Kgf-cm
1/5	25.4	1	294	3
1/14, 1/27	32.5	2	784	8
1/51, 1/71, 1/100	39.7	3	1764	18
1/189, 1/369, 1/516	46.0	4	2450	25
1/977	54.0	5	2940	30

Notice: Data in this typical specification sheet are for other certain customer. Voltage, rated torque, speed, current, power and shaft extension feature & dimension can be changed to meet customer specific requirement.

注意: 上述规格仅针对特定客户, 电压、扭矩、转速、电流、功率、输出轴的特征和尺寸等都可以按照客户的特殊要求进行调整。

地址: 广东省深圳市宝安区福海新田大道福宁高新产业园 A 栋、F 栋

Address: Building A & F, Funing Hi-Tech Park, Xintian Road, Fuhai, BaoAn District, Shenzhen, Guangdong Province, China

电话 Tel: 86-755-29169191, 29169292 传真 Fax: 86-755-29169007 邮箱 Email: sales@hengdrive.com 网址 Http://www.hengdrive.com