

B2430G	Output Power 输出功率: 1W~8W	Weight 重量: 110g (Approx.)
---------------	--------------------------	---------------------------

Brushless DC Gear Motor-Typical Application 无刷直流减速电机-典型应用

Home Application: Electric Window, Electric Curtain, Small Appliances, Portable Equipment

家用电器: 电动窗, 电动窗帘, 小家电, 便携式器材

Industry Facility: Transmission Equipment, Gear System, Actuator

工业设备: 传动机械, 齿轮系统, 致动器

Electronic Equipment: Electric Valve, Small Switcher, Lighting Adjustor, Small Percussion Drill

电控设备: 电动阀门, 小型转换器, 灯光调节器, 电动扳手

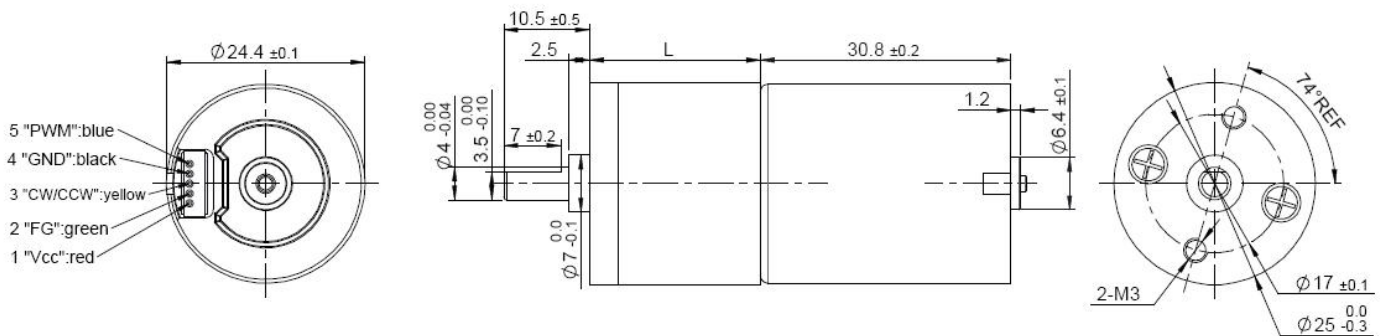
Business Equipment: Electric Gate, Banking Facility, ATM, Vending Machine

商业设备: 电动门禁, 银行设施, ATM机, 售卖机

Personal Care: Massager, Stroker, Vibrator 个人护理: 按摩器, 摩摩器, 振动器



Outline Drawing 外形图: Unit: Millimeter



Torque & Speed List: 力矩和转速列表

电机型号	减速比	5	18	22	57	83	100	221	334	854	1234
B2430G-S01 (9V-5400)	空载转速 (r/min)	1078	299	245	94	65	54	24	16	6	4
	负载转速 (r/min)	750	208	170	65	45	37	17	11	4	3
	负载力矩 (mNm)	39.2	123	151	335	488	588	784	784	980	980
B2430G-S02 (12V-8800)	空载转速 (r/min)	1760	488	400	154	106	88	40	26	10	7
	负载转速 (r/min)	1265	351	287	111	76	63	28	19	7	5
	负载力矩 (mNm)	39.2	123	151	335	488	588	784	784	980	980
B2430G-S03 (24V-4570)	空载转速 (r/min)	915	253	207	80	55	45	20	13	5	4
	负载转速 (r/min)	700	195	159	61	42	35	16	10	4	3
	负载力矩 (mNm)	27.4	86.5	105	234	342	412	759	784	980	980

Gear Box Characteristic 齿轮箱特征:

Material 外壳材质	Metal	Reduction Ratio 减速比	L mm	Reducer Series 减 速等级	Rated Torque 额定力矩	
Bearing Type 轴承类型	Ball bearings				mNm	Kgf-cm
Radial Force 径向力	≤ 3.5 Kgf	1/5	19	1	196	2.0
Axial Force 轴向力	≤ 2.5 Kgf	1/18, 1/22	26.4	2	392	4.0
Max. Pushing force at shaft 主轴最大承受压力	≤ 10 Kgf	1/57, 1/83, 1/100	33.8	3	588	6.0
Radial Clearance 径向间隙	≤ 0.05 mm	1/221, 1/334	41.2	4	784	8.0
Axial Clearance 轴向间隙	≤ 0.30 mm	1/854, 1/1234	48.6	5	980	10.0

Notice: Data in this typical specification sheet are for other certain customer. Voltage, rated torque, speed, current, power and shaft extension feature & dimension can be changed to meet customer specific requirement.

注意: 上述规格仅针对特定客户, 电压、扭矩、转速、电流、功率、输出轴的特征和尺寸等都可以按照客户的特殊要求进行调整。

地址: 广东省深圳市宝安区福海新田大道福宁高新产业园 A 栋、F 栋

Address: Building A & F, Funing Hi-Tech Park, Xintian Road, Fuhai, BaoAn District, Shenzhen, Guangdong Province, China

电话 Tel: 86-755-29169191, 29169292 传真 Fax: 86-755-29169007 邮箱 Email: sales@hengdrive.com 网址 Http://www.hengdrive.com