

<b>B5672M</b>	Output Power 输出功率:30W-350W	Weight 重量: 500g (Approx.)
<b>Brushless DC Motor-Typical Application 无刷直流电机-典型应用</b> <b>Water Proof : IP67 防护等级: IP67</b> Automotive Parts: Parking Heater, Oil Pump, Fuel Pump 汽车部件: 驻车加热器, 机油泵, 燃油泵 Home Appliance: Water Pump, Air Pump 家用电器: 水泵, 气泵 Business Apparatus: Medical Pump, Water Pump, Liquid Pump 商业设备: 医疗泵, 水泵, 液泵		

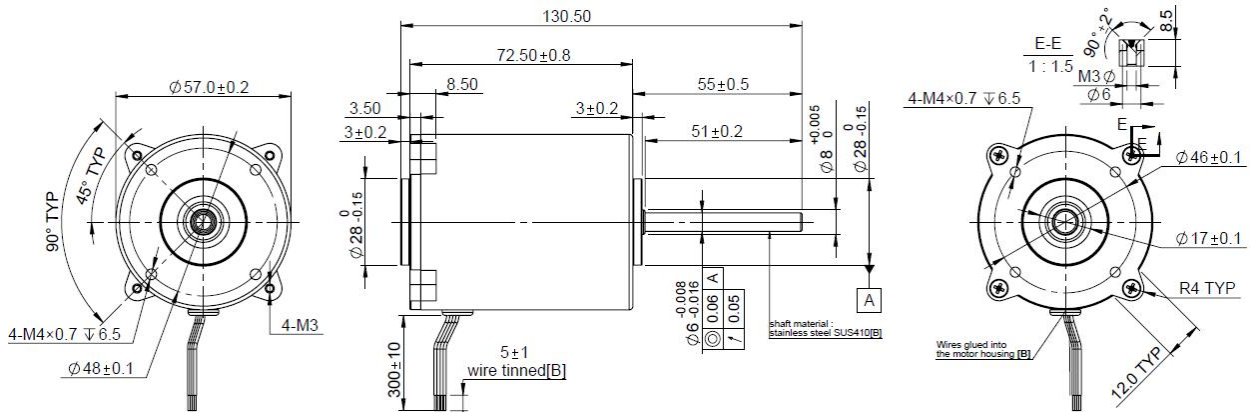


Model 型号	Voltage(V) 电压		No Load 空载		Rated Load 额定负载				Stall 堵转	
	Operating Range	Rated	Speed (rpm)	Current (A)	Torque (Nm)	Speed (rpm)	Current (A)	Output P. (W)	Torque (Nm)	Current (A)
B5672M-S01	8-14	12	3278	0.52	0.25	2680	7.46	71.5	1.39	8
B5672M-S02	8-26	24	3238	0.34	0.25	2683	3.78	71.6	1.48	8
B5672M-S03	8-26	24	5491	0.43	0.25	4871	6.22	130	2.25	8

**Characteristic:** CW & CCW, Signal function available, Locked rotor protection, Stepless speed regulation, Low noise, Low EMI, Long life 10000-50000hrs  
**特征:** 双转向, 信号功能, 锁定保护, 无级调速, 低噪音, 低电磁干扰, 超长寿命 10000-50000 小时

**Notice:** Data in this typical specification sheet are for other certain customer. Voltage, rated torque, speed, current, power and shaft extension feature & dimension can be changed to meet customer specific requirement.  
**注意:** 上述规格仅针对特定客户, 电压、扭矩、转速、电流、功率、输出轴的特征和尺寸等都可以按照客户的特殊要求进行调整。

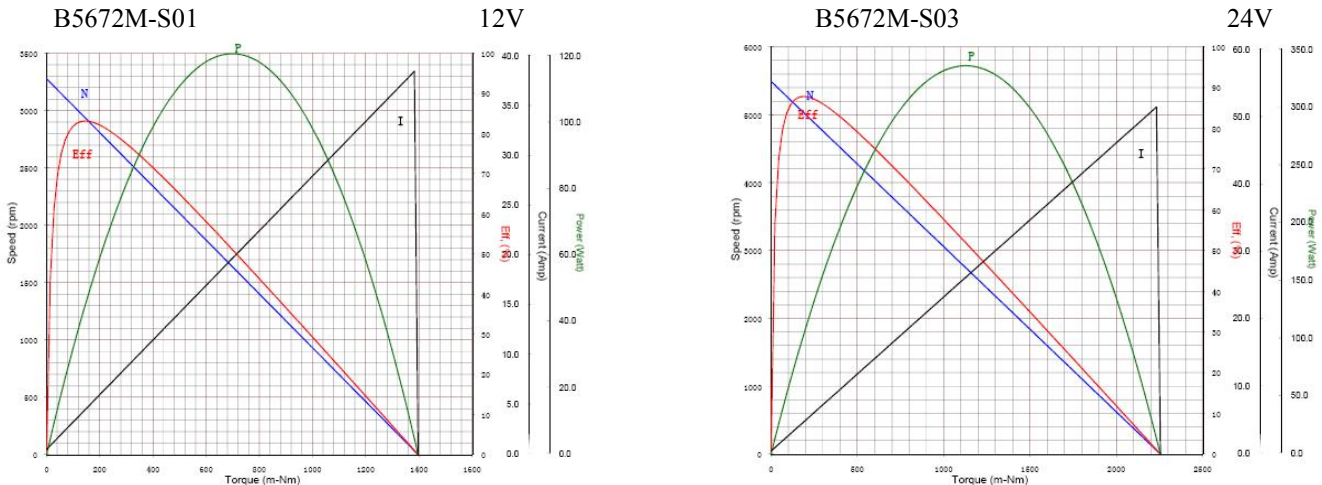
**Outline Drawing 外形图:**



Usable machine screw length 6.0mm max from motor mounting surface

Unit: Millimeter

**Performance Curve 性能曲线:**



地址: 广东省深圳市宝安区福海新田大道福宁高新产业园 A 栋、F 栋

Address: Building A & F, Funing Hi-Tech Park, Xintian Road, Fuhai, BaoAn District, Shenzhen, Guangdong Province, China

电话 Tel: 86-755-29169191, 29169292 传真 Fax: 86-755-29169007 邮箱 Email: sales@hengdrive.com 网址 Http://www.hengdrive.com